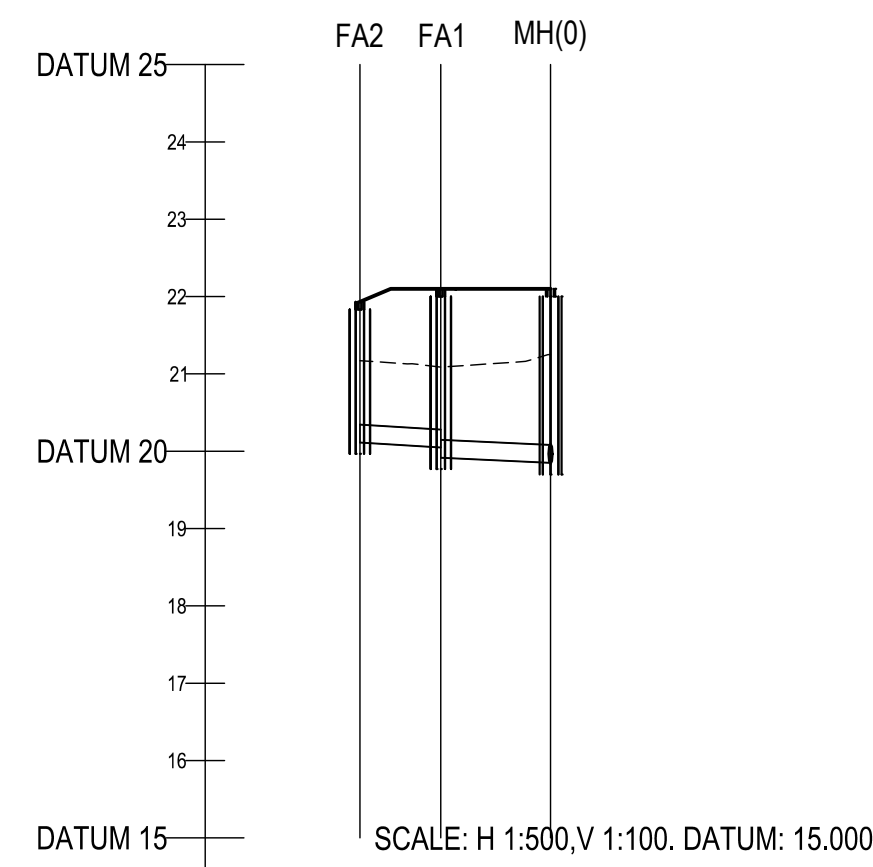
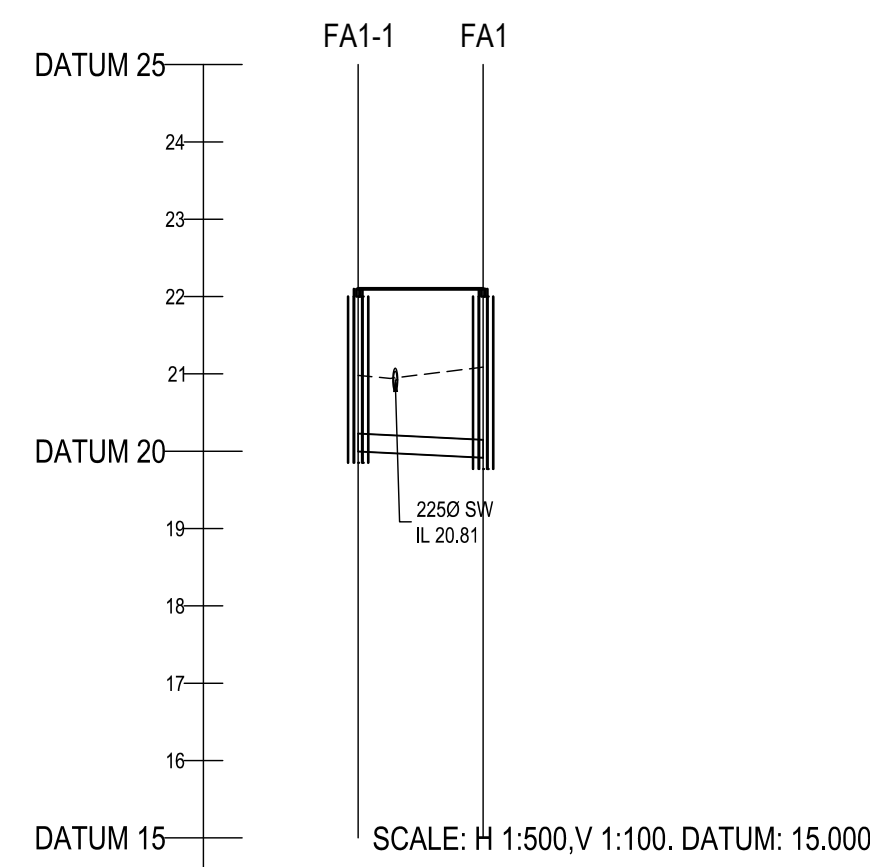


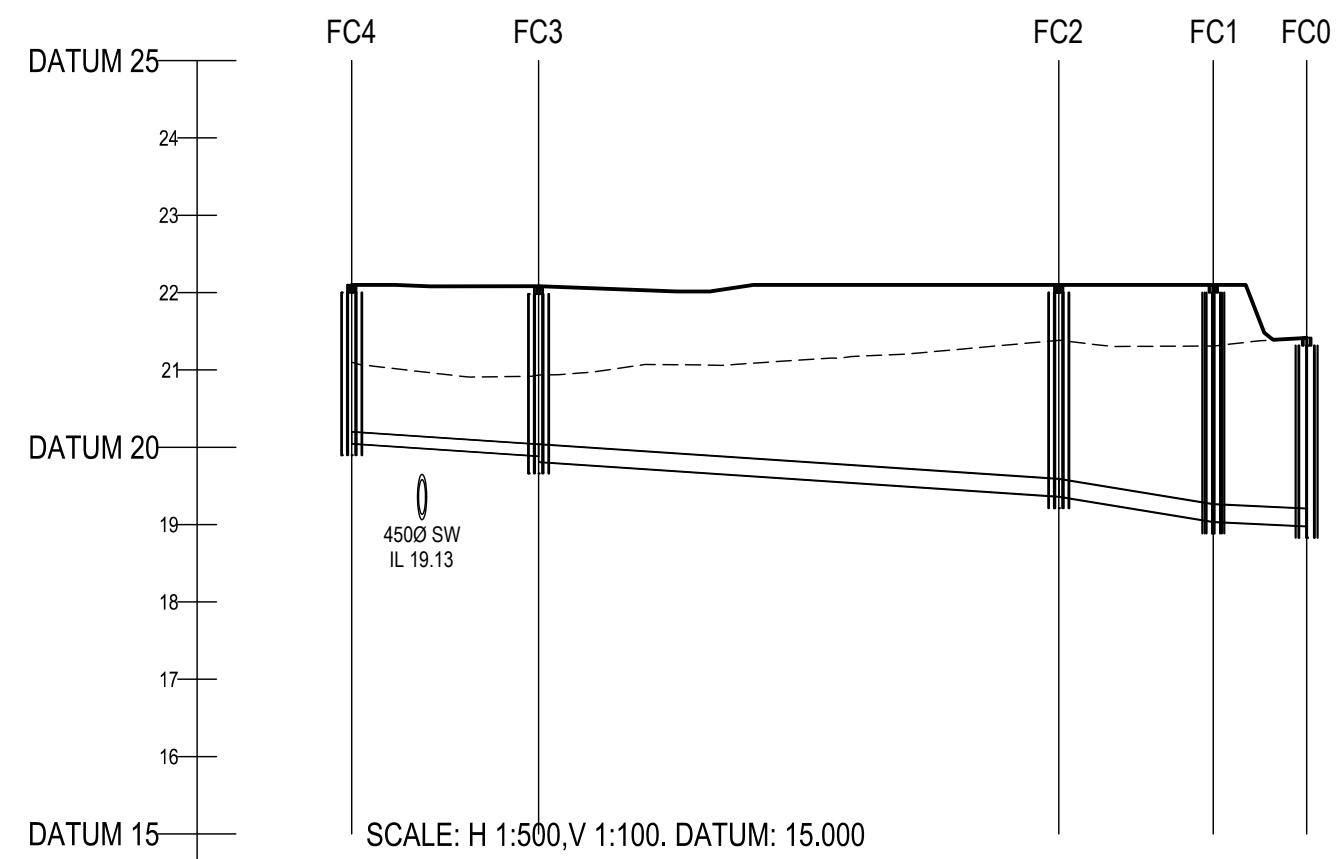
COVER LEVEL	21.845	22.051	22.100	22.100
INVERT LEVEL	20.500	20.100	19.947	19.849
DEPTH (m)	1.445	1.951	2.153	2.251
DISTANCE (m)		17.14	11.34	10.62
PIPE SLOPE	1:43	1:74	1:108	
PIPE SIZE	225mm	225mm	225mm	
PIPE TYPE	uPVC SN8	uPVC SN8	uPVC SN8	



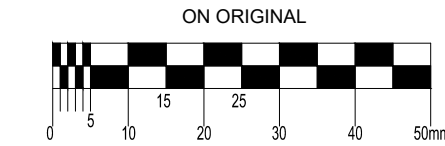
COVER LEVEL	21.832	22.100	20.997
INVERT LEVEL	20.416	20.000	19.853
DEPTH (m)	1.416	2.100	1.147
DISTANCE (m)	5.23	7.09	
PIPE SLOPE	1:82	1:107	
PIPE SIZE	225mm	225mm	
PIPE TYPE	uPVC SN8	uPVC SN8	



COVER LEVEL	22.100	22.100
INVERT LEVEL	20.000	19.919
DEPTH (m)	2.100	2.181
DISTANCE (m)	8.08	
PIPE SLOPE	1:100	
PIPE SIZE	225mm	
PIPE TYPE	uPVC SN8	



COVER LEVEL	22.100	22.062	22.100	22.100	21.416
INVERT LEVEL	20.047	19.868	19.963	19.098	18.879
DEPTH (m)	2.053	2.271	2.137	3.002	2.437
DISTANCE (m)	12.08		33.63	9.99	6.03
PIPE SLOPE	1:75		1:75	1:31	1:106
PIPE SIZE	150mm		225mm	225mm	225mm
PIPE TYPE	uPVC SN8		uPVC SN8	uPVC SN8	uPVC SN8



© COPYRIGHT OF THIS DRAWING IS RESERVED BY DBFL CONSULTING ENGINEERS. NO PART SHALL BE REPRODUCED OR TRANSMITTED WITHOUT THEIR WRITTEN PERMISSION.

NO CHANGES OF WHATSOEVER NATURE ARE TO BE MADE TO ANY DETAILS SET OUT OR CONTAINED IN ANY DBFL SPECIFICATIONS OR DRAWINGS UNLESS THE EXPRESS CONSENT HAS BEEN OBTAINED IN ADVANCE, IN WRITING, FROM DBFL.

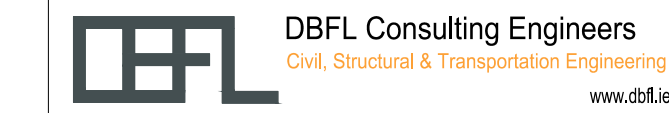
- NOTES:
- ALL DRAWINGS TO BE CHECKED BY CONTRACTOR ON SITE AND ENGINEER INFORMED OF DISCREPANCIES BEFORE WORK COMMENCES
 - ALL LEVELS ARE IN METRES AND ARE RELATED TO ORDINANCE DATUM
 - CONTRACTOR SHALL SATISFY HIMSELF AS TO THE ACCURACY OF PAVEMENT LEVELS ON SITE PRIOR TO COMMENCEMENT OF WORKS ON SITE
 - ALL WORKS TO BE CONSTRUCTED IN ACCORDANCE WITH THE NRA SPECIFICATION FOR ROAD WORKS UNLESS NOTED OTHERWISE
 - THIS DRAWING IS FOR PLANNING PURPOSES ONLY
 - MANHOLE COVER LEVELS ARE TO CONFORM WITH FINISHED ROAD AND PATH LEVELS
 - WHERE COVER TO PIPE IS LESS THAN 1200mm (ROAD/PATH/VERGE) OR 900mm (OPEN SPACE) SURROUND PIPE IN MINIMUM 150mm CONCRETE

KEY

----- EXISTING GROUND PROFILE
 _____ PROPOSED GROUND PROFILE

P01	13-07-22	STAGE 3 SHD	GMC	BCM
rev	date	description	by	chkd.
client approval				
A - Approved				
B - Approved with comments				
C - Do not use				

suitability S2 - INFORMATION issue purpose PLANNING



DUBLIN OFFICE: Ormond House, Upper Ormond Quay, Dublin 7, D07 W704
 PHONE +353 1 454 4350
 CORK OFFICE: 14 South Mall, Cork, T12 CT91
 PHONE +353 21 2624538
 WATERFORD OFFICE: Sala Bb The Atrium, Maritime Gate, Canada Street, Waterford, X91 WQ28
 PHONE +353 51 309 560

project ref. HAROLD'S BRIDGE COURT SHD

drawing title LONGITUDINAL SECTIONS THROUGH FOUL SEWER SHEET 1

client THE ADROIT COMPANY LTD

designed by	author	scale	sheet size
BCM	GMC	H 1:500, V 1:100	A1
drawing no.	revision		
200029-DBFL-FW-SP-DR-C-3001	P01		