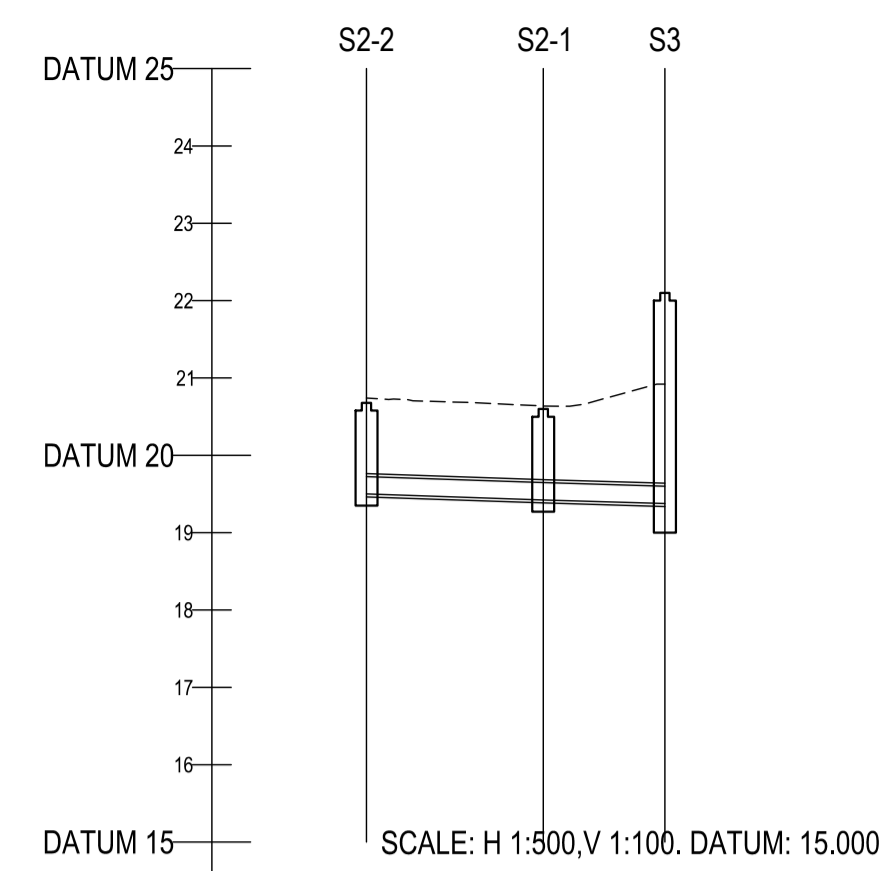
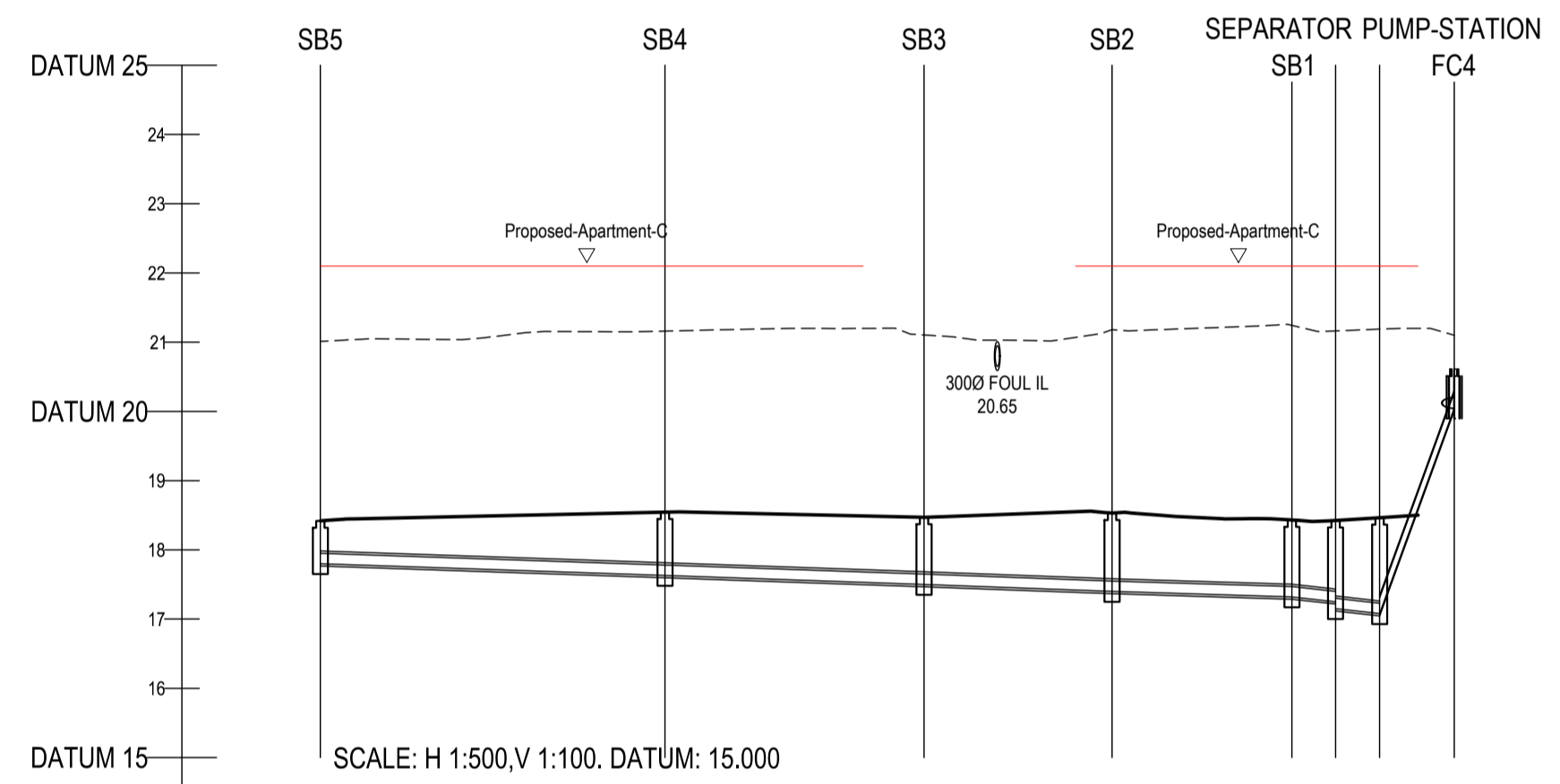


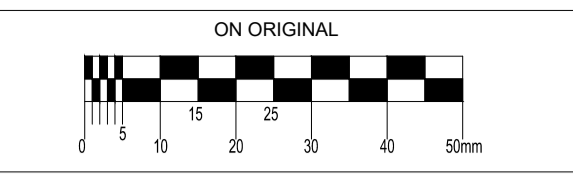
COVER LEVEL	21.918	22.100	22.100	22.100	22.100	22.100	22.081	22.017	22.002
INVERT LEVEL	21.110	20.950	20.950	20.950	20.950	20.950	20.952	20.832	22.100
DEPTH (m)	0.808	1.150	1.150	1.150	1.150	1.150	1.197	1.268	0.000
DISTANCE (m)	23.71	25.88	41.53	5.85	9.63	2.04	34.51	1.67	5.71
PIPE SLOPE	1:148	1:170	1:244	1:110	1:401	1:405	1:405	1:419	1:381
PIPE SIZE	225mm	225mm	300mm	300mm	450mm	450mm	2000mm	450mm	450mm



COVER LEVEL	20.679	20.699	22.100
INVERT LEVEL	19.500	2.000	2.001
DEPTH (m)	1.179	1.177	2.949
DISTANCE (m)	11.42	7.86	
PIPE SLOPE	1:146	1:171	
PIPE SIZE	225mm	225mm	



COVER LEVEL	18.418	18.545	18.470	18.531	18.431	18.424	18.465	20.810
INVERT LEVEL	17.800	17.800	17.500	17.400	17.500	17.500	17.500	20.810
DEPTH (m)	0.618	0.745	0.970	1.131	0.931	0.924	0.965	0.563
DISTANCE (m)	24.88	18.70	13.57	12.99	3.15	3.18	5.39	
PIPE SLOPE	1:146	1:144	1:136	1:162	1:45	1:45	1:2	
PIPE SIZE	150mm	150mm	150mm	150mm	150mm	150mm	225mm	



© COPYRIGHT OF THIS DRAWING IS RESERVED BY DBFL CONSULTING ENGINEERS. NO PART SHALL BE REPRODUCED OR TRANSMITTED WITHOUT THEIR WRITTEN PERMISSION.
 NO CHANGES OF WHATSOEVER NATURE ARE TO BE MADE TO ANY DETAILS SET OUT OR CONTAINED IN ANY DBFL SPECIFICATIONS OR DRAWINGS UNLESS THE EXPRESS CONSENT HAS BEEN OBTAINED IN ADVANCE, IN WRITING, FROM DBFL.

- NOTES:
- ALL DRAWINGS TO BE CHECKED BY CONTRACTOR ON SITE AND ENGINEER INFORMED OF DISCREPANCIES BEFORE WORK COMMENCES
 - ALL LEVELS ARE IN METRES AND ARE RELATED TO ORDINANCE DATUM
 - CONTRACTOR SHALL SATISFY HIMSELF AS TO THE ACCURACY OF PAVEMENT LEVELS ON SITE PRIOR TO COMMENCEMENT OF WORKS ON SITE
 - ALL WORKS TO BE CONSTRUCTED IN ACCORDANCE WITH THE NRA SPECIFICATION FOR ROAD WORKS UNLESS NOTED OTHERWISE
 - THIS DRAWING IS FOR PLANNING PURPOSES ONLY
 - MANHOLE COVER LEVELS ARE TO CONFORM WITH FINISHED ROAD AND PATH LEVELS
 - WHERE COVER TO PIPE IS LESS THAN 1200mm (ROAD/PATH/VERGE) OR 900mm (OPEN SPACE) SURROUND PIPE IN MINIMUM 150mm CONCRETE

KEY
 - - - - - EXISTING GROUND PROFILE
 _____ PROPOSED GROUND PROFILE

rev	date	description	GMC	BCM
P01	13-07-22	STAGE 3 SHD		
A		Approved		
B		Approved with comments		
C		Do not use		

S2 - INFORMATION PLANNING

DBFL Consulting Engineers
 Civil, Structural & Transportation Engineering
 www.dbfl.ie

DUBLIN OFFICE: Ormond House, Upper Ormond Quay, Dublin 7, D07 W704
 PHONE +353 1 456 4000

CORK OFFICE: 14 South Mall, Cork, T12 CT91
 PHONE +353 21 2024538

WATERFORD OFFICE: 50a-52 The Arcade, Maritime Gate, Canada Street, Waterford, X91 W028
 PHONE +353 51 309 500

project ref.
HAROLD'S BRIDGE COURT SHD

drawing title
LONGITUDINAL SECTIONS THROUGH SURFACE WATER SHEET 1

client
THE ADROIT COMPANY LTD

designed by	author	scale	sheet size
BCM	GMC	H 1:500, V 1:100	A1
drawing no.	revision		
200029-DBFL-SW-SP-DR-C-3001	P01		